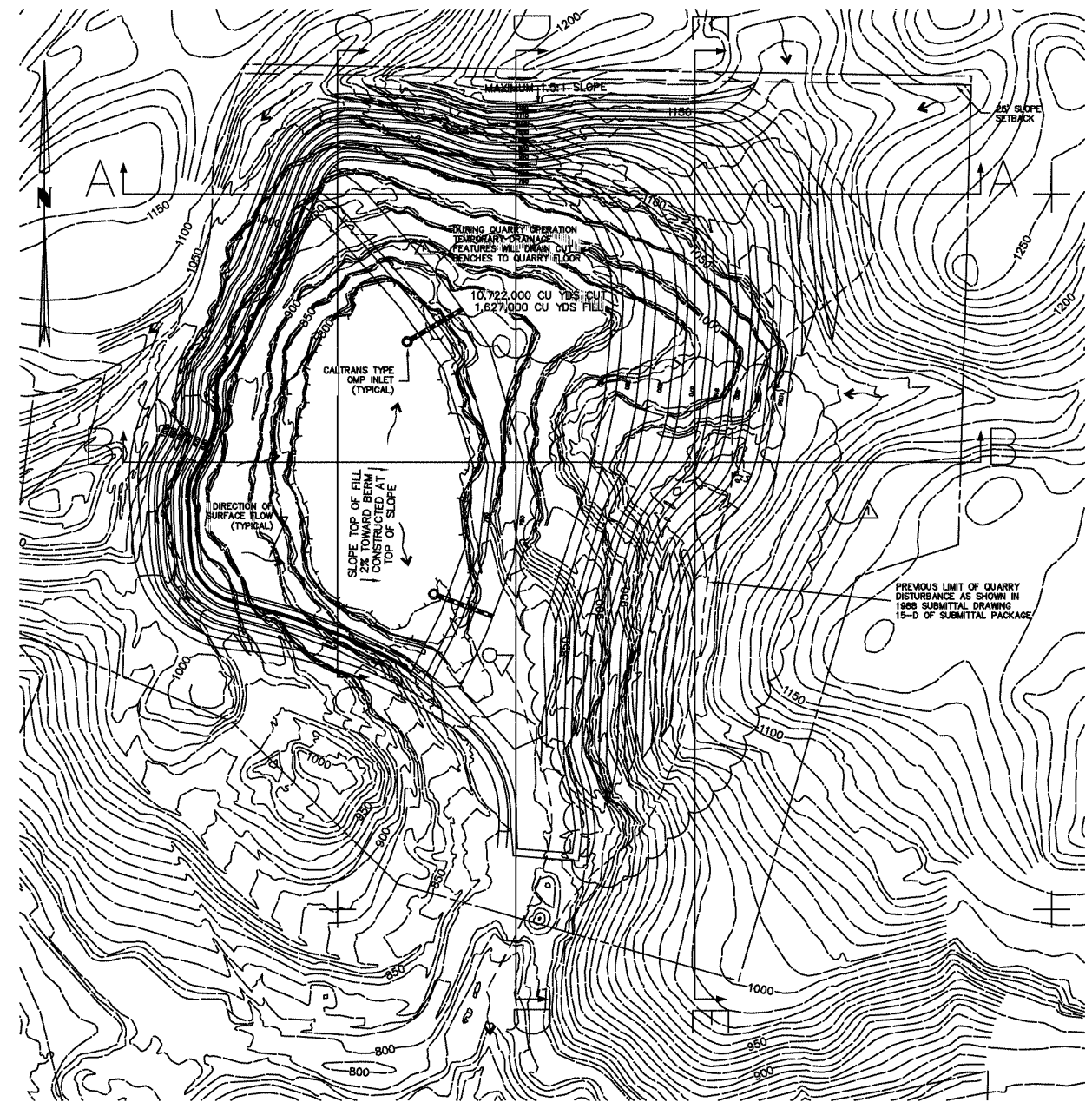
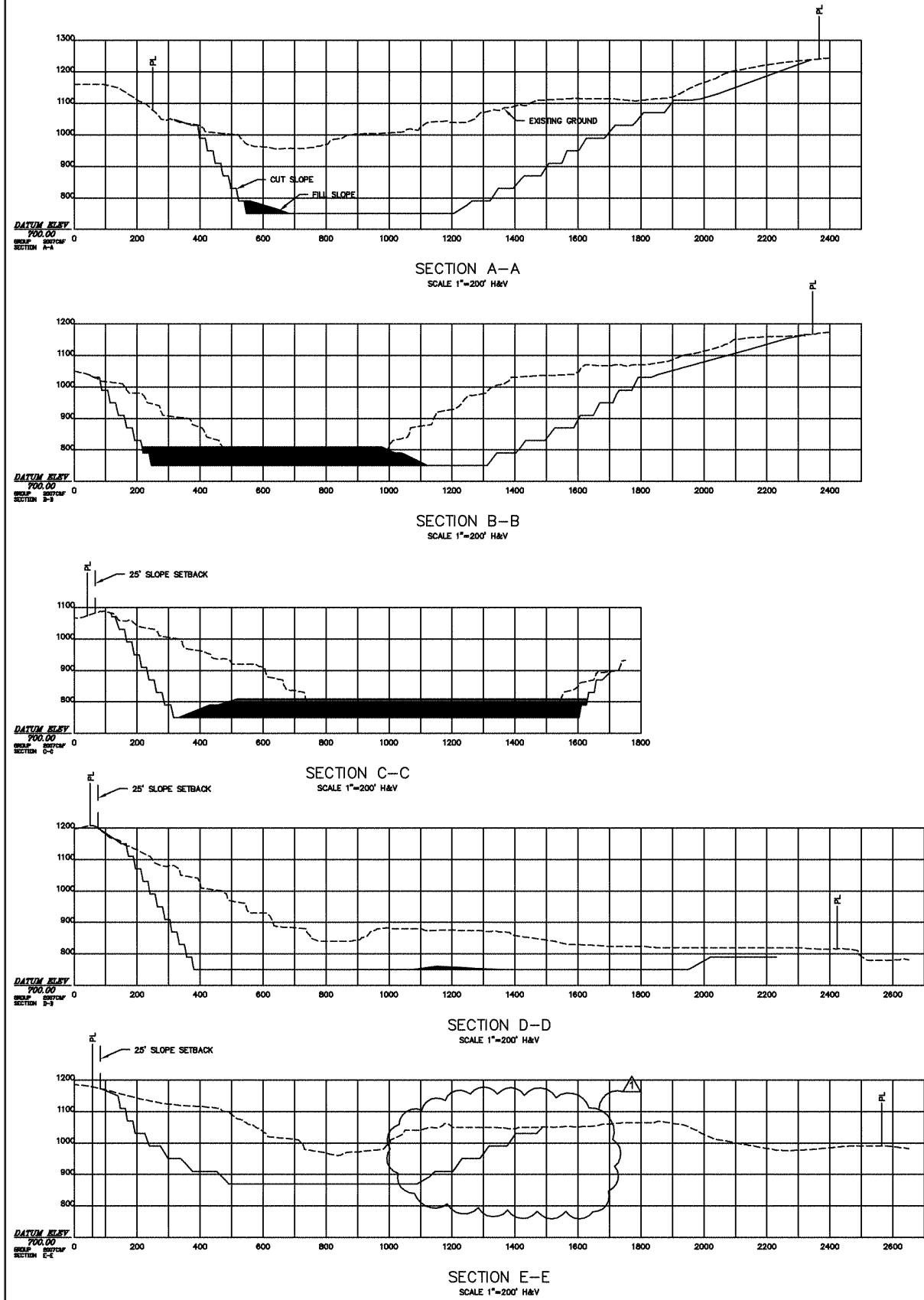
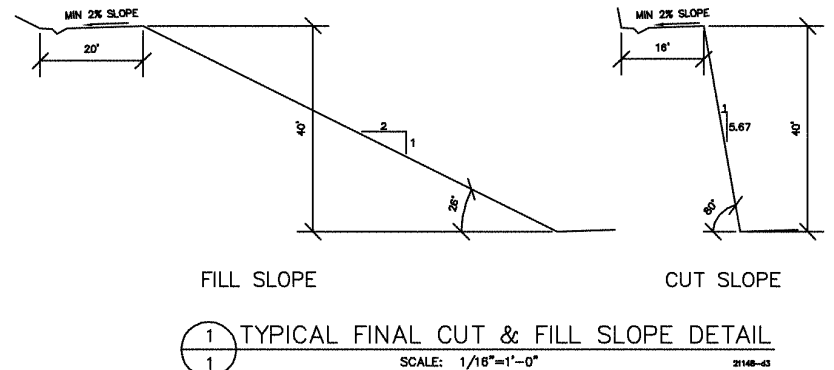


Figure 7. Limestone Quarry Proposed Amendment to Mining Plan -- 2007 Estimated Contours



PLAN VIEW
SCALE 1"=200'



NOTE
CONTOURS AND CUT AND FILL QUANTITIES ARE BASED ON ESTIMATES OF OVERBURDEN THICKNESS, LIMESTONE QUALITY, LIMESTONE-TO-WASTE RATIOS, AND ANNUAL PRODUCTION PROJECTIONS. ACTUAL CONTOURS AND VOLUMES WILL VARY.

APN 063-131-10, 14

REVISION		REVISE SOUTHEAST CORNER QUARRY CONTOURS AND EARTHWORK VOLUMES, 2/8/2001, JRN	
BOWMAN & WILLIAMS CONSULTING CIVIL ENGINEERS 1011 CEDAR STREET SANTA CRUZ, CA 95060 (408) 426-3880		BONNY DOON LIMESTONE QUARRY AMENDMENT TO MINING PLAN 2007 ESTIMATED CONTOURS FOR RMC LONESTAR SITUATE IN BONNY DOON SANTA CRUZ COUNTY, CALIFORNIA	
REGISTERED CIVIL ENGINEER NO. 42686	DRAWN RKG	JOB NO. 21148-1	
DATE 09 FEBRUARY 2001	CHECKED JRN	INDEX	LAGUNA
DESIGN RKG	DWG NAME 21148-07.DWG	FILE NO.	21148