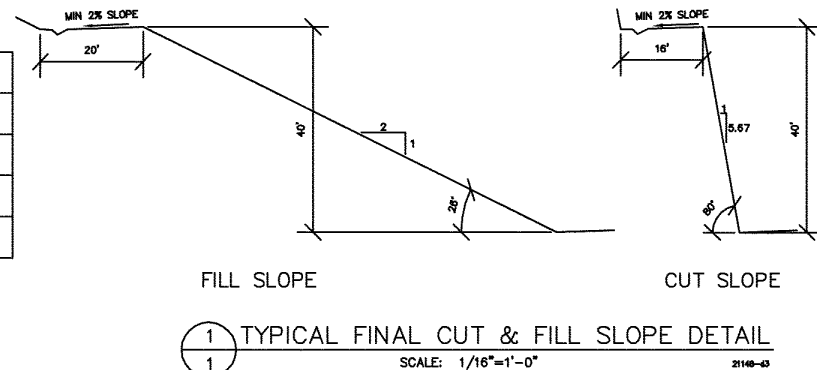
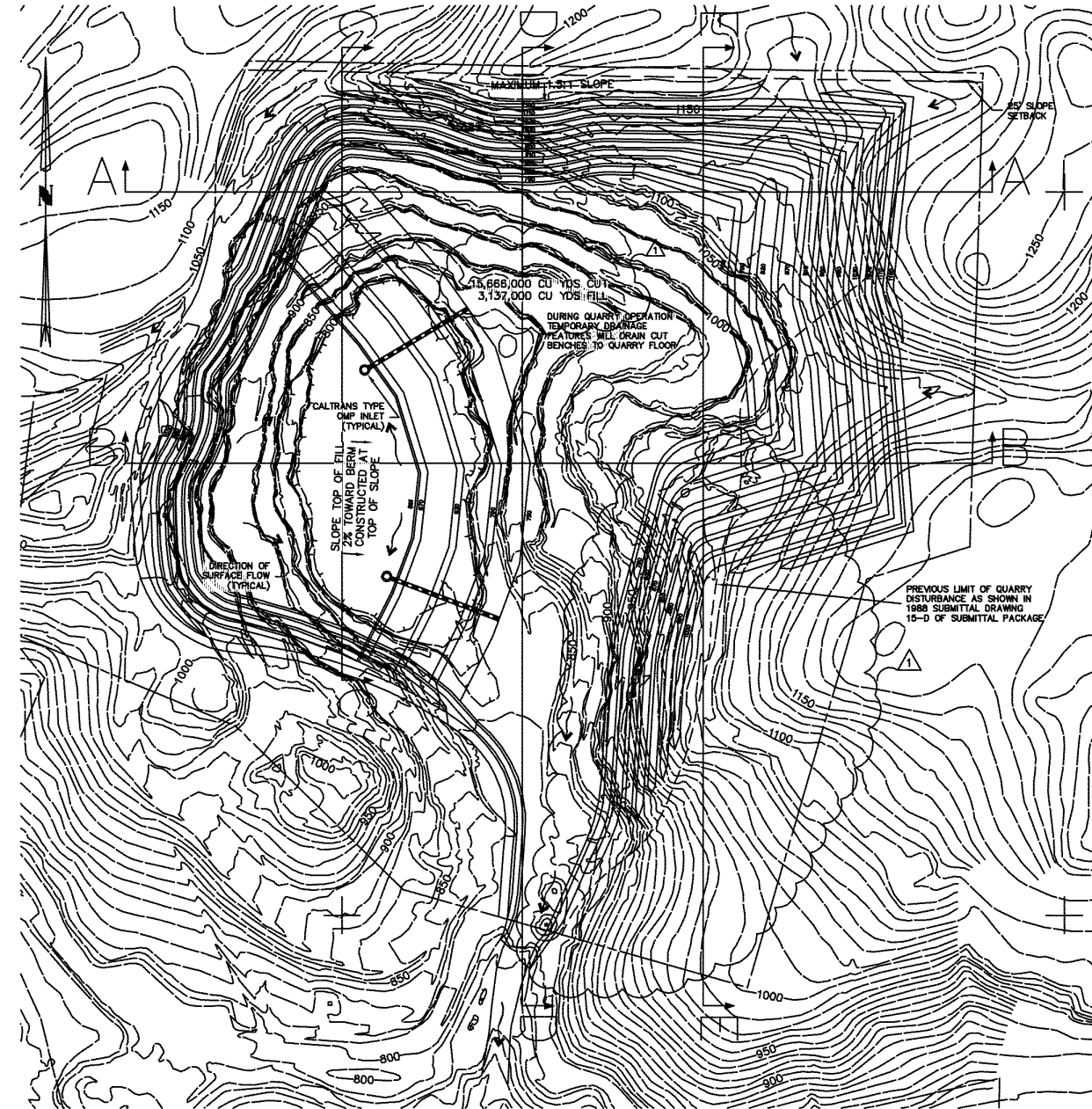
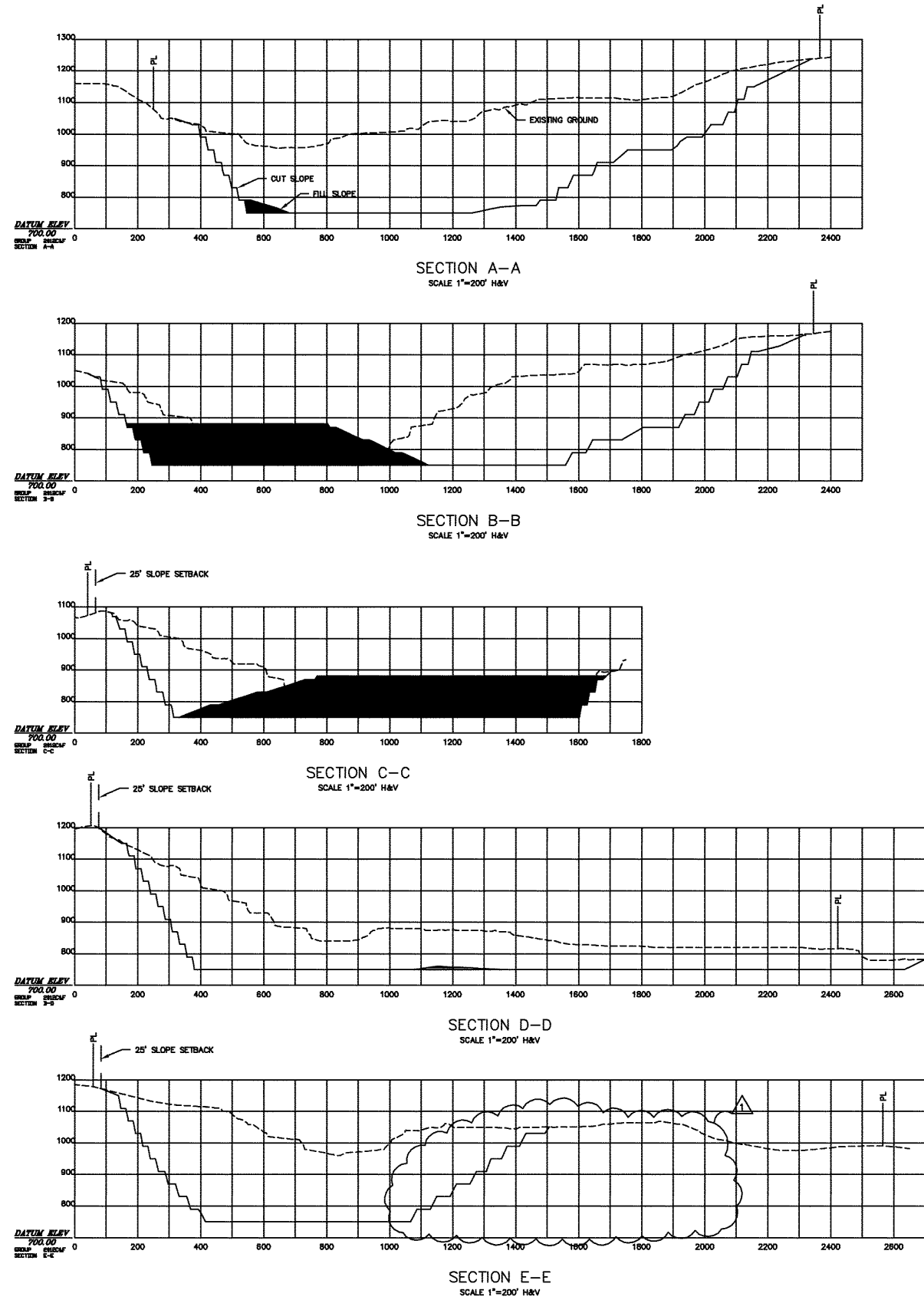


Figure 8. Limestone Quarry Proposed Amendment to Mining Plan -- 2012 Estimated Contours



**NOTE**  
CONTOURS AND CUT AND FILL QUANTITIES ARE BASED ON ESTIMATES OF OVERBURDEN THICKNESS, LIMESTONE QUALITY, LIMESTONE-TO-WASTE RATIOS, AND ANNUAL PRODUCTION PROJECTIONS. ACTUAL CONTOURS AND VOLUMES WILL VARY.

APN 063-131-10, 14

REVISION △ REVISE SOUTHEAST CORNER QUARRY CONTOURS AND EARTHWORK VOLUMES, 2/6/2001, JRN	
BOWMAN & WILLIAMS CONSULTING CIVIL ENGINEERS 1011 CEDAR STREET SANTA CRUZ, CA 95060 (408) 426-3560	BONNY DOON LIMESTONE QUARRY AMENDMENT TO MINING PLAN 2012 ESTIMATED CONTOURS
FOR RMC LONESTAR SITUATE IN BONNY DOON SANTA CRUZ COUNTY, CALIFORNIA	
REGISTERED CIVIL ENGINEER NO. 42856 SCALE 1"=200' DATE 02 FEBRUARY, 2001 DESIGN RKG	DRAWN RKG CHECKED JRN DWG NAME 21148-12.DWG JOB NO. 21148-1 INDEX LAGUNA FILE NO. 21148
SHEET 3 OF 8	