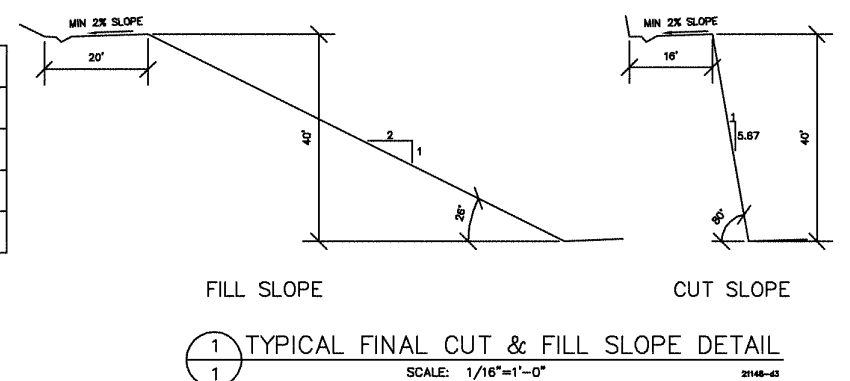
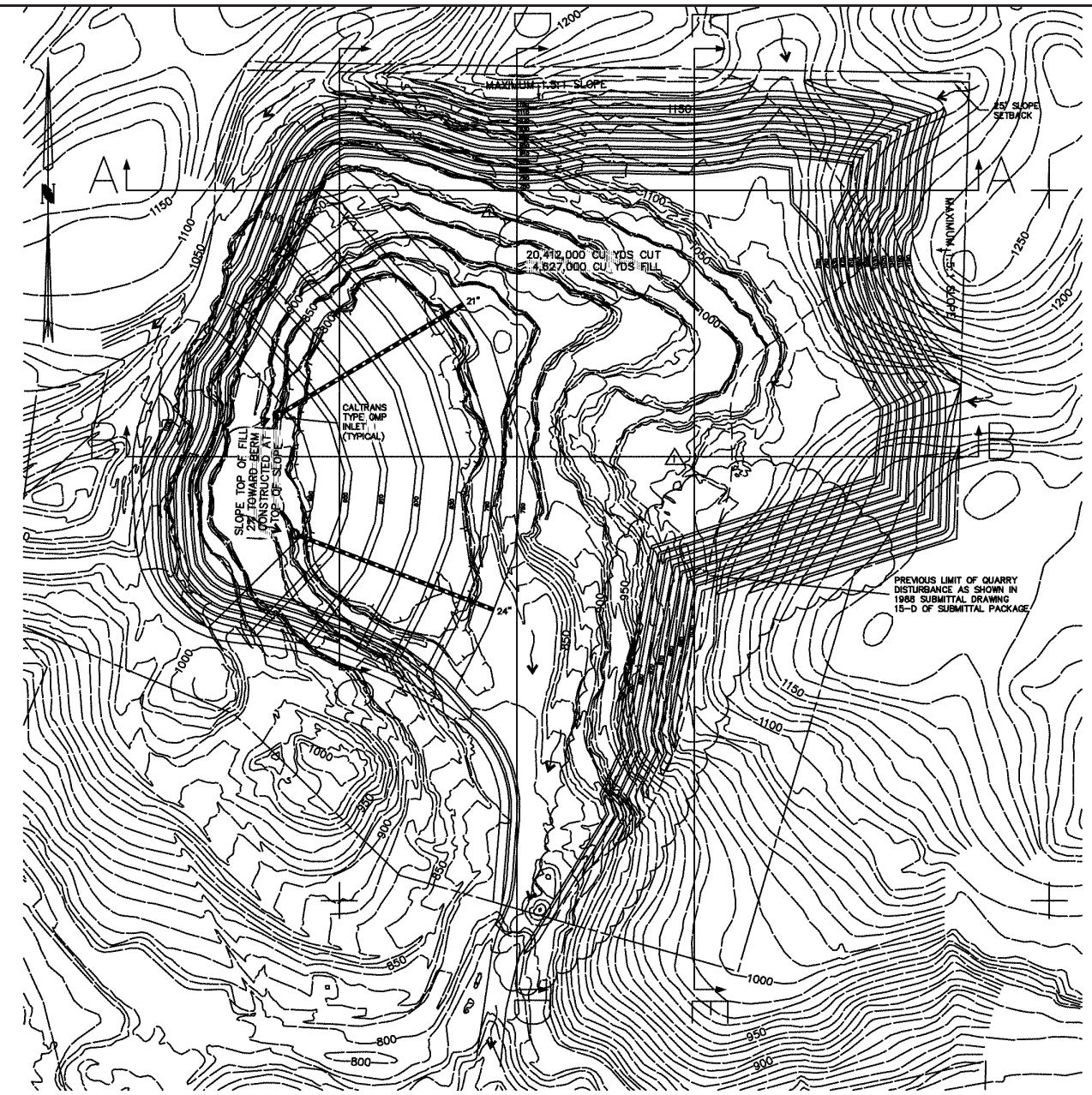
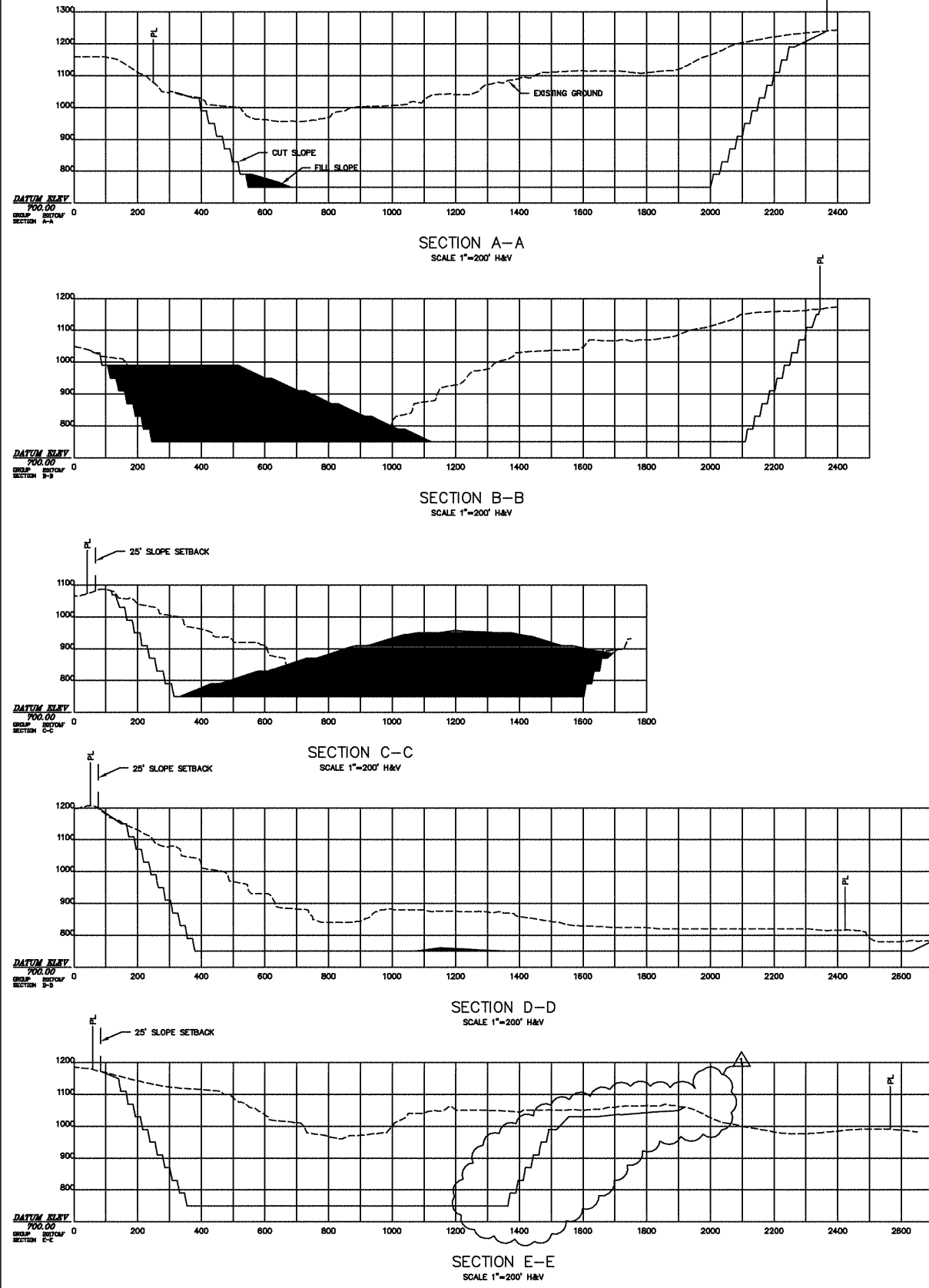


Figure 9. Limestone Quarry Proposed Amendment to Mining Plan -- Final Development



NOTE
CONTOURS AND CUT AND FILL QUANTITIES ARE BASED ON ESTIMATES OF OVERBURDEN THICKNESS, LIMESTONE QUALITY, LIMESTONE-TO-WASTE RATIOS, AND ANNUAL PRODUCTION PROJECTIONS. ACTUAL CONTOURS AND VOLUMES WILL VARY.

APN 063-131-10, 14	
REVISION: REVISE SOUTHEAST CORNER QUARRY CONTOURS AND EARTHWORK VOLUMES, 2/6/01, JRH	
BOWMAN & WILLIAMS CONSULTING CIVIL ENGINEERS 1011 CEDAR STREET SANTA CRUZ, CA 95060 (408) 428-3580	BONNY DOON LIMESTONE QUARRY AMENDMENT TO MINING PLAN 2017 ESTIMATED CONTOURS
REGISTERED CIVIL ENGINEER NO. 42868	FOR RMC LONESTAR SITUATE IN BONNY DOON SANTA CRUZ COUNTY, CALIFORNIA
SCALE 1"=200'	DRAWN RKG
DATE 02 FEBRUARY 2001	CHECKED JRH
DESIGN RKG	DWG NAME 21148-17.DWG
JOB NO. 21148-1	SHEET 4
INDEX LAGUNA	OF 6
FILE NO. 21148	